

Datasheet

RGBW 24V Dimmer Air

Part No: 100125



About the product

This 24V Dimmer delivers unparalleled smart lighting control in residential and commercial settings!

- Create amazing colour lighting scenes for any occasion
- Designed for DIN rail mounting
- Specifically for use in a Loxone installation
- Benefit from free firmware updates
- Use this to control regular 24V LED spots

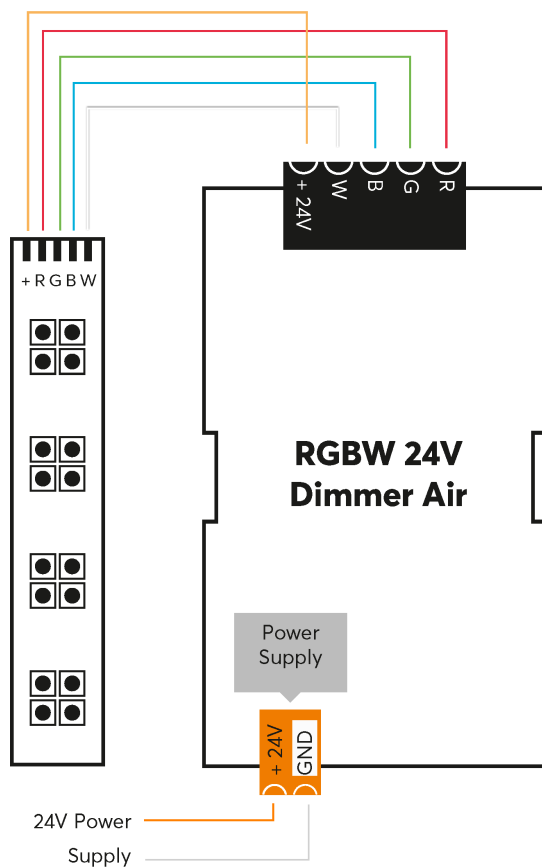
Technical data

Power supply	12 ... 28VDC
Power consumption	typ. 66mW, max. 163mW
Outputs	4 PWM outputs (max. 2.1A per channel) 100W at 12V 200W at 24V max. wire length to LED: 30m / 98ft
Power loss at max. load	3W
PWM frequency	123Hz
Interfaces	Loxone Air: 868MHz (SRD Band Europe), 4 channels available max. Power 15.1mW e.r.p. 915MHz (ISM Band Region 2), 10 channels available max. Power 13.2mW
Ambient temperature	-40 ... 55°C / -40...131°F
Humidity	max. 95% r.H. (non condensing)

Connections

Wire cross-section	0.75 ... 2.5mm ² / AWG18 ... 13
Stripping length	6 ... 7.5mm / 0.24 ... 0.30"
Torque of terminal blocks	0.5 ... 0.6Nm / 0.37 ... 0.44 lbf ft
Temperature resistance	min. 80°C / 176°F for IEC, min. 75°C / 167°F for UL,
Orange / White	+24VDC / GND

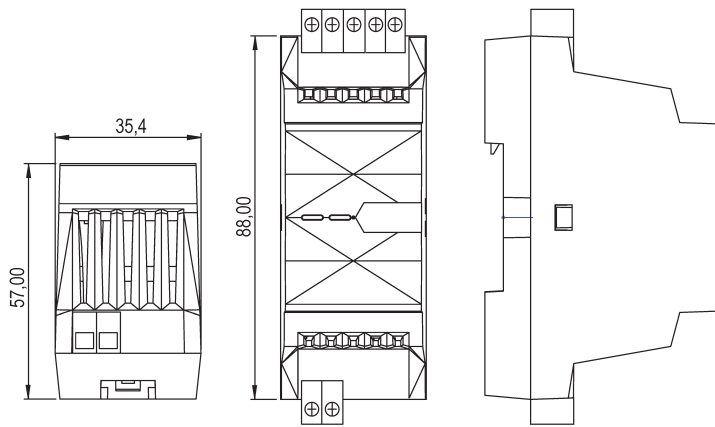
Connection diagram




Product features

Mounting type	DIN rail according to EN50022, 35mm
Colours	Black: RAL 9005
Finish	Matte

Weight & dimensions

Net weight	67g
Total weight	87g
Product dimensions	35.4x88x57mm / 1.4x3.46x2.24" (LxWxH)
	
Pack size	121x38x62mm / 4.76x1.50x2.44" (LxWxH)

Certifications & Standards

Safety rating	IP20
Certifications	UL 8750 CSA C22.21#250.13 

DRY LOCATIONS ONLY
 POUR EMPLACEMENTS SECS SEULEMENT
 CLASS 2 INPUT ONLY
 ENTRÉE DE CLASSE 2 UNIQUEMENT

Installation must be carried out by a qualified electrician in accordance with the relevant regulations.

Published by
Loxone Electronics GmbH
 Smart Home 1
 4154 Kollerschlag
 Austria
 Phone: +43 7287 7070-0
 loxone.com